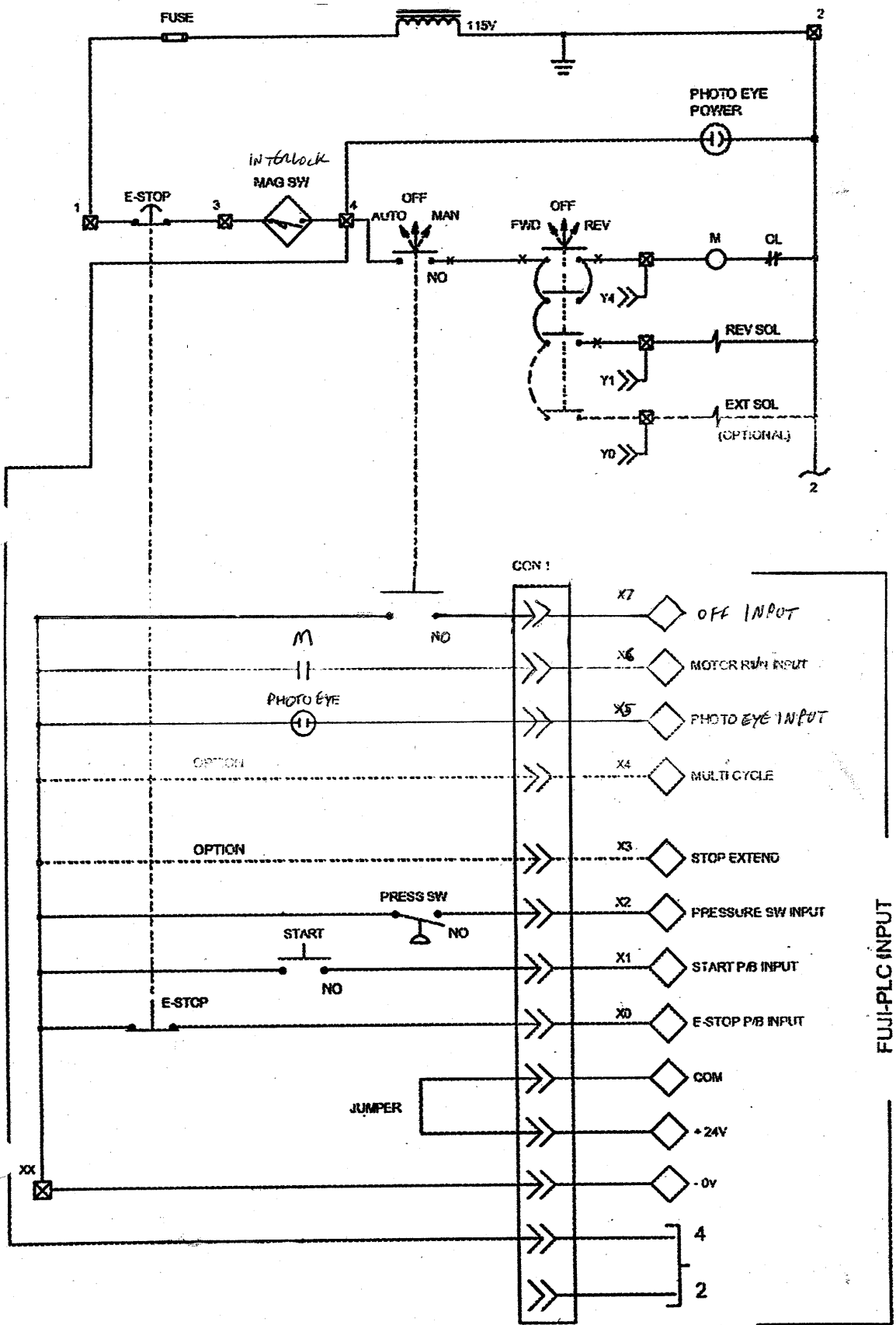
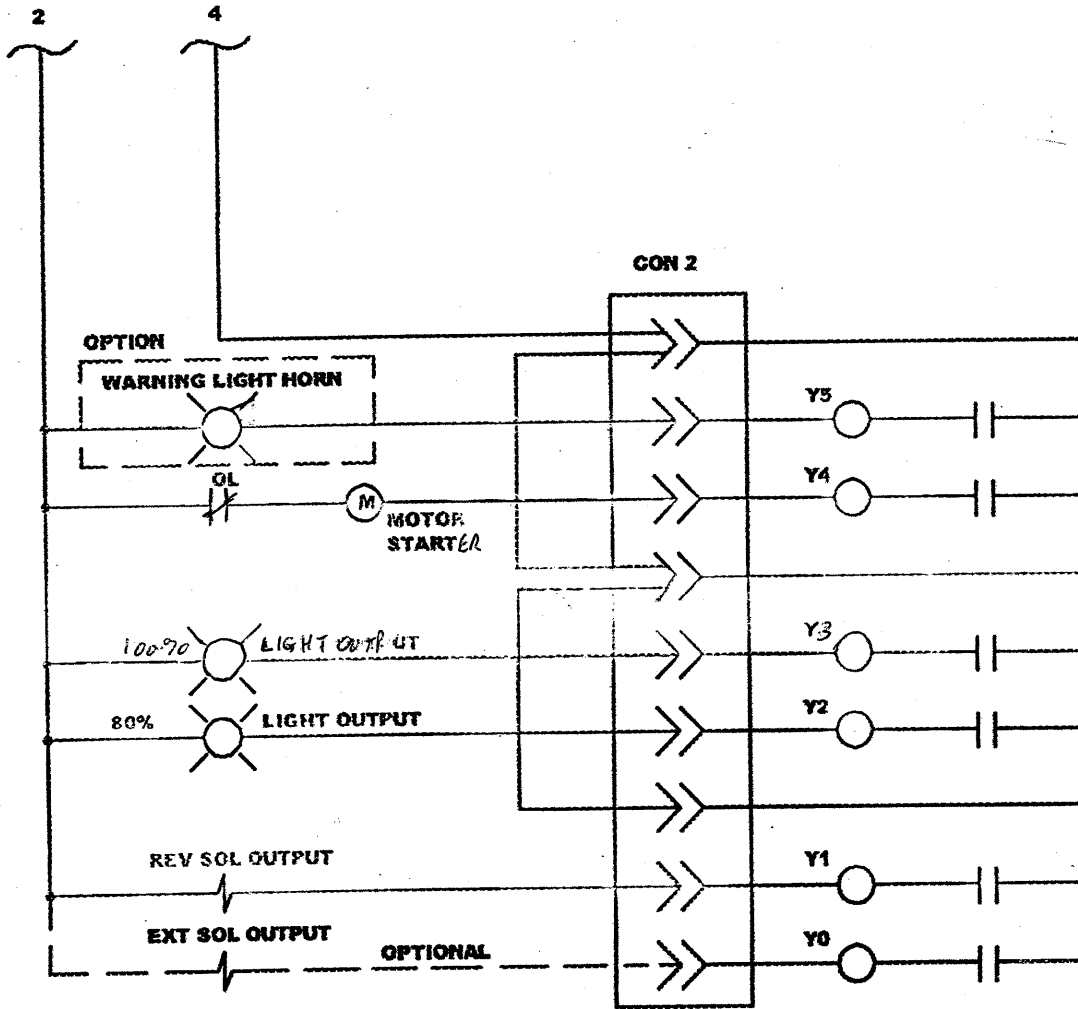


MINI-STATIONARY - (APARTMENT PACKAGE)  
 COMPAC - WILKINSON

CUSTOMER  
**WILKINSON**  
 MODEL  
**HE05335**





CUSTOMER  
**WILKINSON**  
 MODEL NO.  
**HE05335**

1	2	3	4	XX	XX
---	---	---	---	----	----

OUTPUT